

## Two-Sided Probe, Model 890 (Part-No.: 7220.890.WE.SET)

- Cylindrical probe for resistance to ground and point-to-point measurements
- Concentric ring probe for surface resistance and volume resistance measurements of packaging
- Cylindrical probe and ring probe comply with IEC 61340-4-1, IEC 61340-4-9 and IEC 61340-2-3
- Cylindrical probe resistance to a metal plate < 500 Ω
- Concentric ring with conductive rubber (with silver particles)  $R < 5 \Omega$
- Conductive rubber hardness: 65 Shore A
- Weight: 2.5 kg



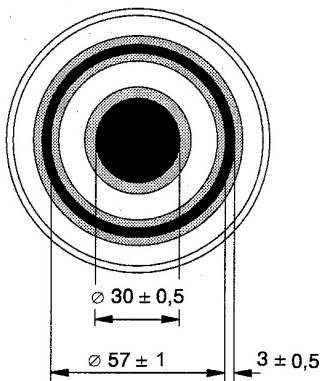
Concentric ring probe



Cylindrical probe  $\varnothing$  63.5 mm



Made in Germany



Ring probe assembly  
according to IEC 61340-2-3

### **Overall dimension of the two-sided probe:**

Diameter: 80 mm  
Total height: 90 mm

### **Supplied with:**

- Insulating plate
- Stainless steel counter-electrode
- Blue guard cord
- Conductive carrying case with conductive foam
- Calibration certificate (German / English)

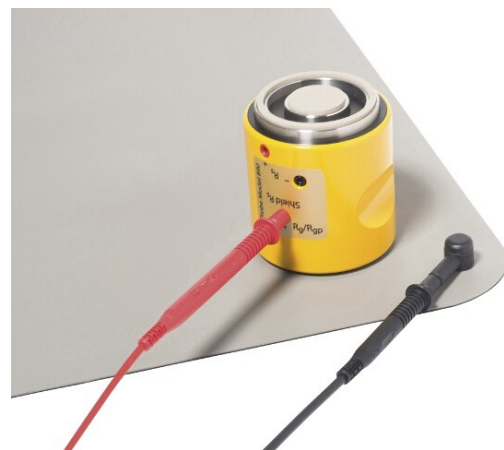
- ▶ 1 year limited warranty
- ▶ Recommended calibration interval: 1 year

**Technical data:**

Test method	Standard
Resistance to ground $R_g$	IEC 61340-4-1
Resistance to groundable point $R_{gp}$	IEC 61340-2-3
Point-to-point resistance $R_{p-p}$	IEC 61340-4-9 IEC 61340-2-3
Surface resistance $R_s$	IEC 61340-2-3
Volume resistance $R_v$	IEC 61340-2-3



Sample application:  
Measurement with concentric ring probe



Sample application:  
Measurement with cylindrical probe  $\varnothing$  63.5 mm