

Concentric Ring Probe, Model 880 (Part No.: 7220.880.SET)

- For surface and volume resistance measurements of packaging
- Conductive rubber with silver particles ($R < 5 \text{ Ohm}$)
- Conductive rubber hardness: 65 Shore A
- Complies with IEC 61340-2-3
- Weight: 515 g
- The 2.5 kg specified weight can be achieved by using a separate weight (e. g. probe model 850 or 870)



Made in Germany

Supplied with:

- Concentric Ring Probe, Model 880
- Stainless steel plate
- Insulating plate
- Blue guard cable
- Conductive carrying case with conductive foam
- Calibration certificate (German / English)



- ▶ 1 year limited warranty
- ▶ Recommended calibration interval: 1 year

Technical Information

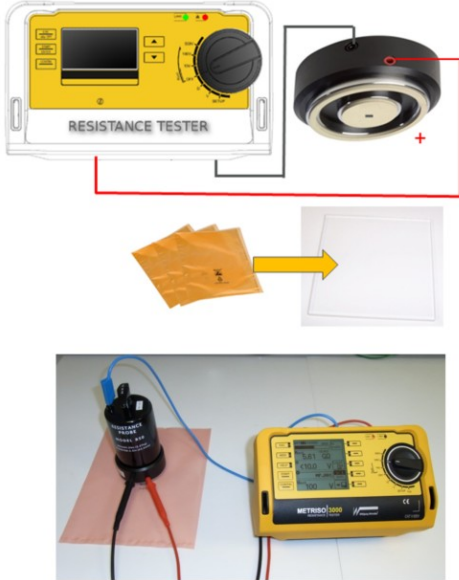
Page 2 of 2

Part No.: 7220.880.SET



◆ Untere Giesswiesen 21 ◆ 78247 Hilzingen ◆ Germany ◆ Tel.: +49-7731-86880 ◆ info@warmbier.com ◆

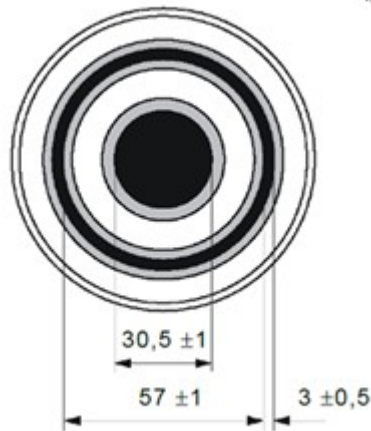
Volume resistance measurement R_v



Surface resistance measurement R_s



Electrode assembly according to IEC 61340-2-3



Dimensions in millimetres

Connection to a resistance meter

